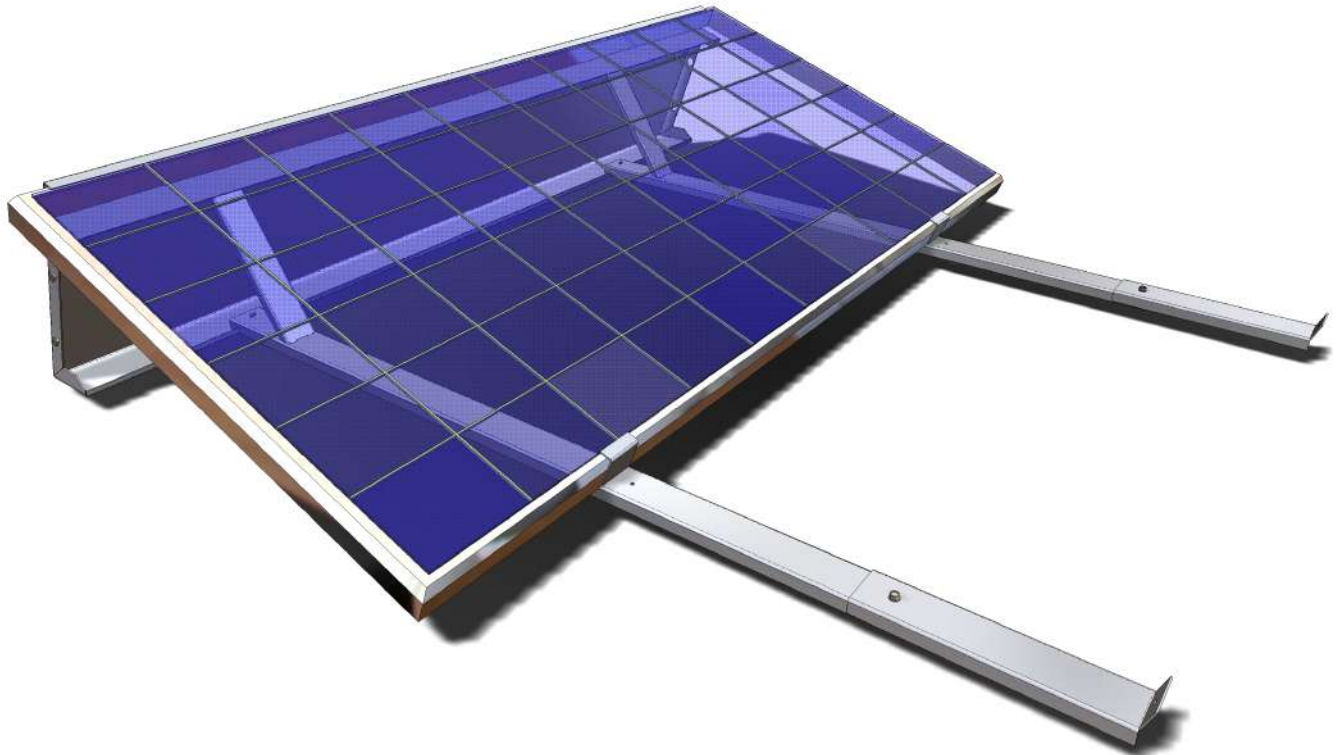


ALVA® Flat Roof Mounting System ◆ Designed with safety in mind



Quick Modular Set Up ◆ No Roof Perforations ◆ Wind Tested ◆ Lightweight

PV Mounting without any Risk of Roof Failure

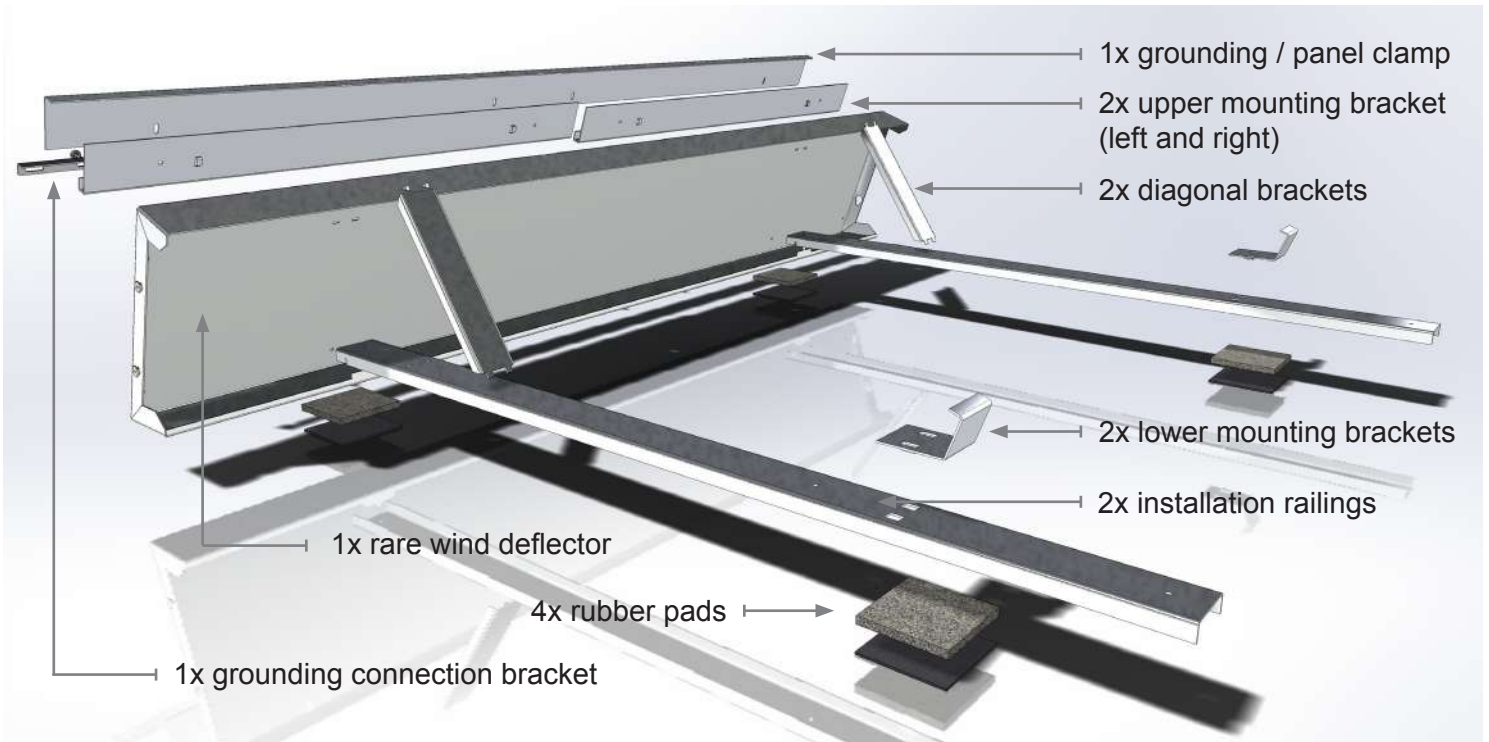
The Eulektra® ALVA® mounting system has been developed to make photovoltaic projects for flat roofs more economical, durable and reliable.

ALVA®, a new and innovative racking system was designed without the need for roof perforating fastening methods, nor does the system require stones, gravel or sand as a ballasting method.

This superior design allows for a more flexible and overall roof usage. The total weight is only 10 kg/m² including solar panels. Made from 100% AL6063.

- ◆ Weight-saving installation
- ◆ No water penetration
- ◆ Cost saving solution
- ◆ Resistant to swirling winds
- ◆ Closer positioning of solar modules
- ◆ More usable roof area
- ◆ Hurricane wind speed tested
- ◆ No damage to roof cladding

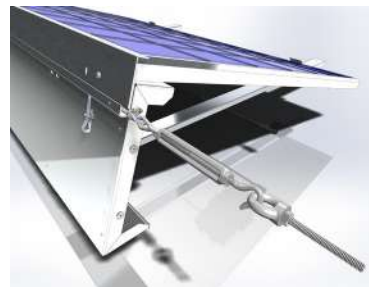
Components



Securing Assembly



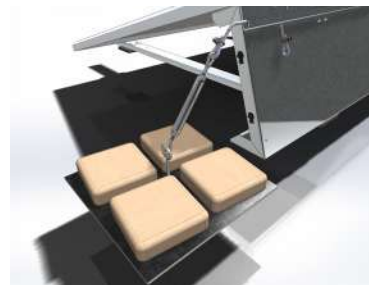
single panel assembly



grounding cable



open end assembly



anchor plate