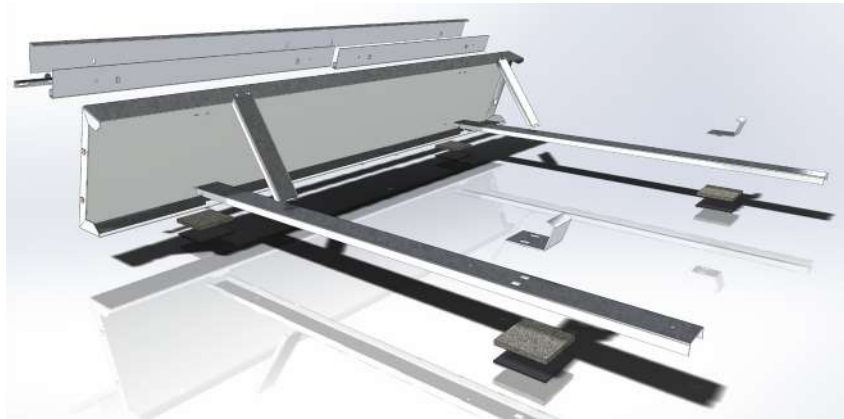


**ALVA® Flat Roof Mounting System** ♦ Designed with safety in mind  
Multiple rows assembly and installation



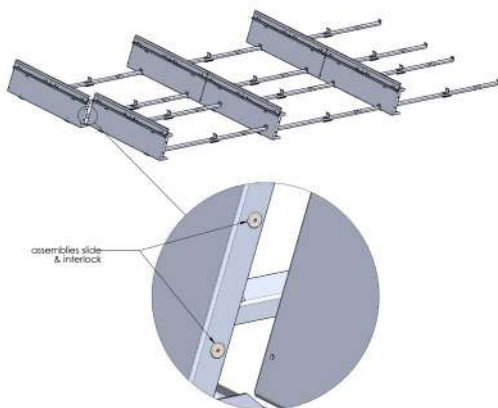
**Final Assembly - Step 1**

- ♦ For multiple rows, attach connector piece and repeat steps 1-5

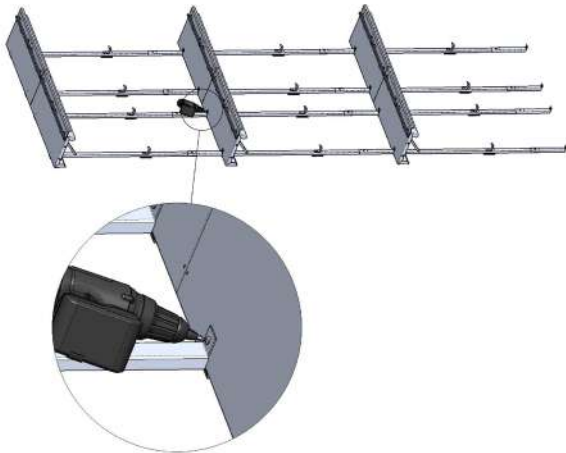


**Final Assembly - Step 2**

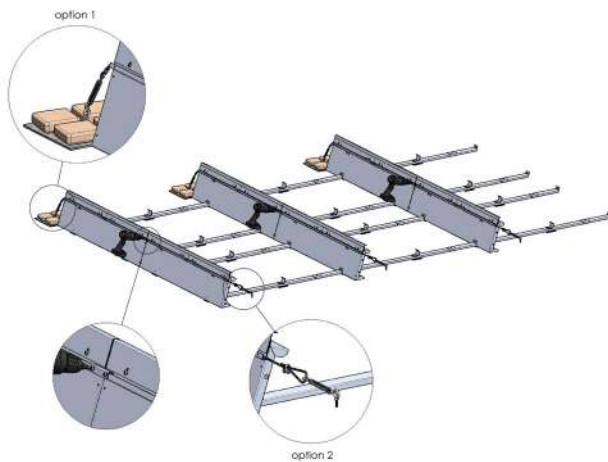
- ♦ Assemblies slide & interlock



**ALVA® Flat Roof Mounting System** ♦ Designed with safety in mind  
Multiple rows assembly and installation



**Final Assembly - Step 3**



**Final Assembly - Step 4**



**Tools required**

- ♦ Electric drill / screw driver
- ♦ Philips head screw bit
- ♦ Pliers